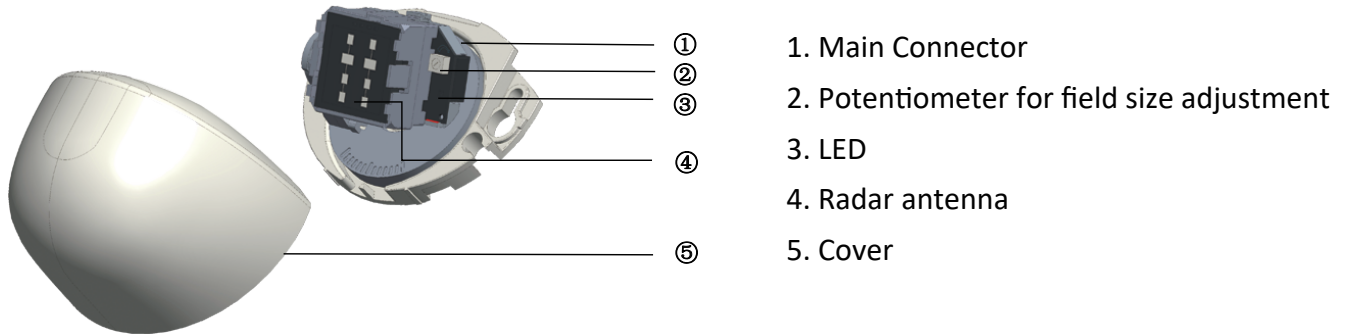


FALCON 2.0

Radar sensor for automatic door

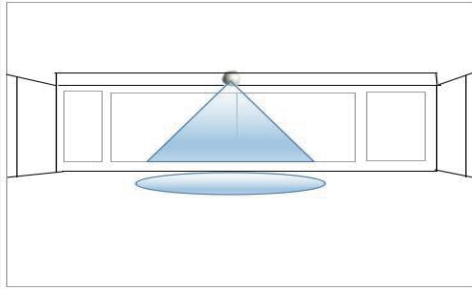
Description



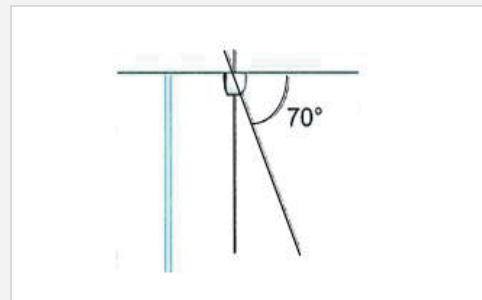
Technical Specifications

Technology:	Microwave doppler radar
Transmitted frequency:	24,150 GHz
Output power:	< 20 dBm EIRP
Density of emitted power:	< 5 m W / cm ²
Detection mode:	Motion
Min.Detection speed:	5 cm/s
Supply voltage:	12 V to 24 V DC +/- 10%
Consumption:	< 1 W
Output:	Solid state relay (free of potential change-over contact)
Current max.Output:	100mA (MAX)
Degree of Protection:	IP54
Mounting height:	1.8 m to 5 m
Temperature range:	-25 °C to + 70 °C
Dimensions:	80 mm (L) x 60 mm (H) x 50 mm (W)
Material:	ABS & Polycarbonate
Angle of inclination:	0 ° to 90 ° (vertical direction) ; -30 ° to + 30 ° (lateral direction)
Cable length:	2.5 m

Application

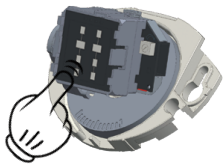


Wall mounting above sliding doors, swing gates and revolving doors



Ceiling mounting in front of sliding doors, swing gates or revolving doors

Tips



Do not touch electrical parts



Avoid vibrations

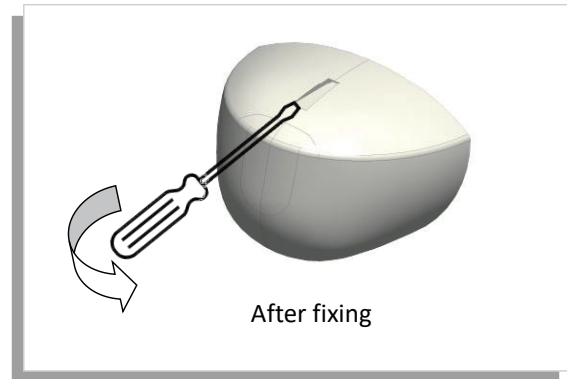
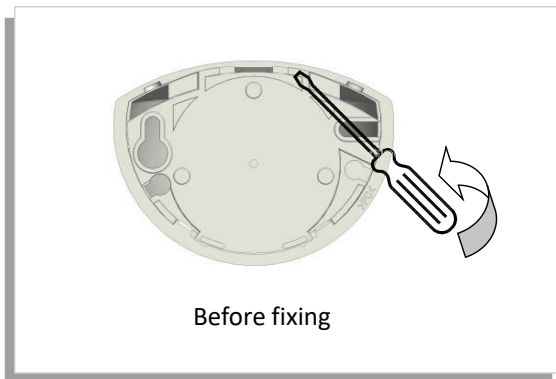


Do not cover the sensor



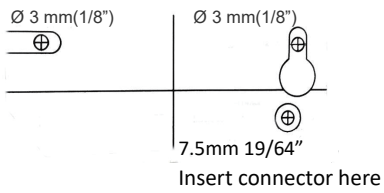
Avoid proximity to neon lamps or moving objects

1. OPENING THE SENSOR



2. MOUNTING AND WIRING

①



Apply the mounting template

Drill 1 hole for the cable

Drill 2 holes for the screws

②



Connect the cable and insert it through the hole.

Connect the wires as follows:

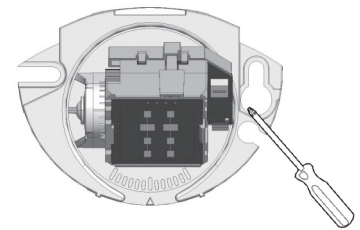
Brown - Power supply -

Green - Power supply +

White - No

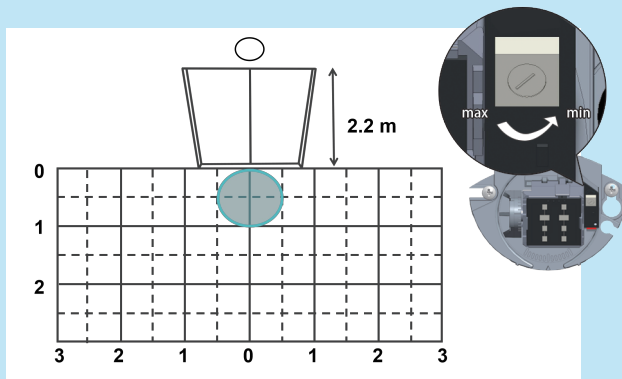
Yellow - COM

③

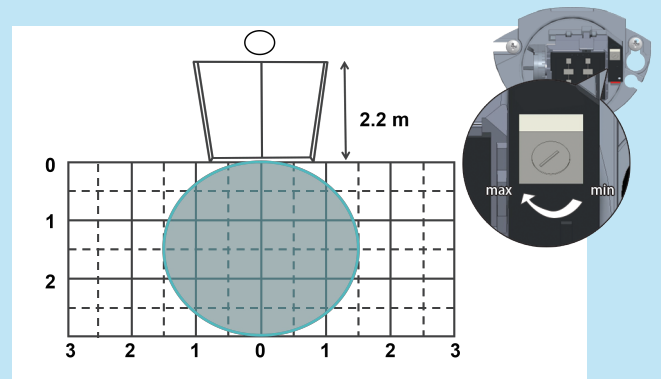


Fix the sensor firmly

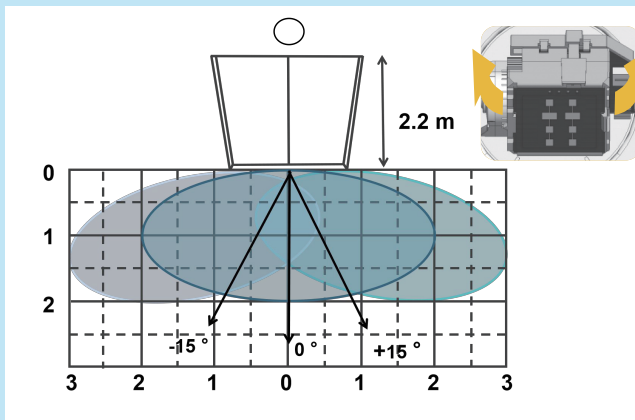
3. FIELD ADJUSTMENT



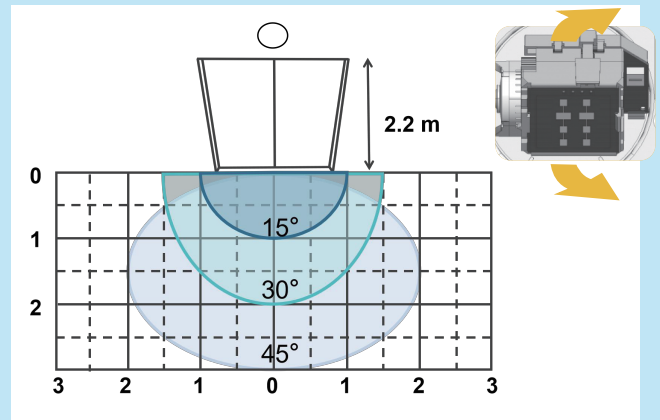
Field size: Minimum



Field size: Maximum



Lateral direction



Vertical direction

Troubleshooting

Fault	Possible cause	Solution
The door remains closed The LED is off	The sensor power is off	Check the wiring and the power supply
The door closes and opens constantly The LED flashes	The sensor is disturbed by the closing of the door or vibrations caused by the door motion	1) Make sure the sensor is fixed firmly 2) Adjust the antenna angle 3) Decrease the field size
The door opens for no apparent reason The LED is always on	In highly reflective environments, the sensor detects objects outside of detection field.	1) Adjust the antenna angle 2) Decrease the field size
The door remains open The LED is off	The setting of door switch is incorrect	1) Make sure the door is in automatic mode 2) Make sure the open signal on the door is set to NO

